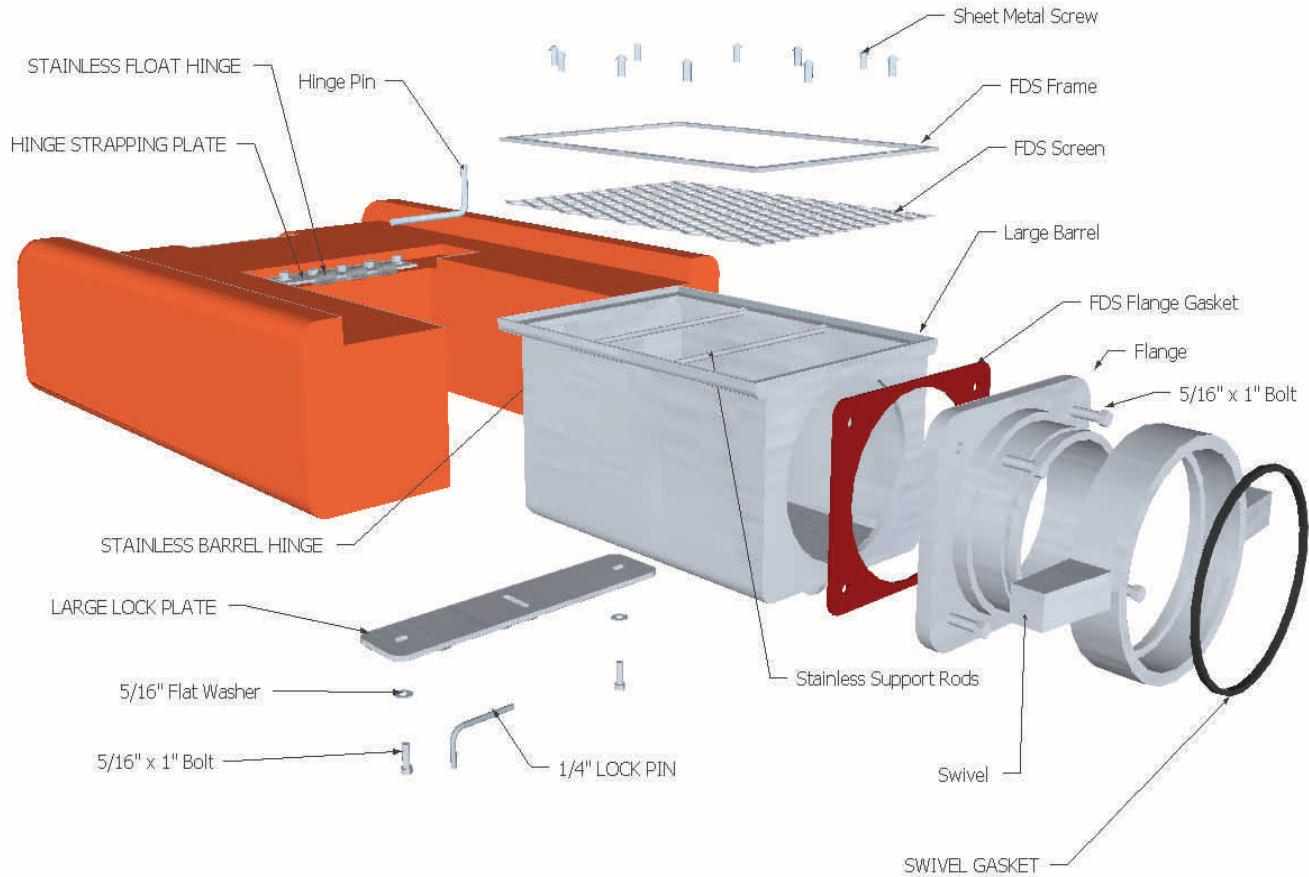


FLOAT-DOCK® STRAINER SPECIFICATIONS & PARTS LIST



Picture of strainer shown upside down.

Constructions Features:

- Professionally designed and engineered for maximum pumping capacity.
- Polyethylene molded float with molded in carry handle. (Handle can be used for tie off and retrieval.)
- No need for a vortex plate. The float prevents any whir pooling.
- The Float-Dock® is self-leveling. Pumps in as little as 5" (13cm) of water.
- 20-30% more open area at the intake.
- Optional riser will convert the strainer box into a Low-Level strainer. (Pumps down to 1.5")
- Deattach the strainer and use as a box strainer.

Optional Accessories:

- Carry Rack
- Riser
- Storz, Cam fitting and custom threads
- Clapper Valve



FOL-DA-TANK COMPANY
P.O. BOX 110—MILAN, IL. 61264
PHONE: 309-787-3500
FAX: 309-787-3635

WWW.FOL-DA-TANK.COM

**FLOAT-DOCK® STRAINER
SPECIFICATIONS & PARTS LIST**

Description	1.5" - 3.0"	4.0"	4.5"	5.0"	6.0"	List Price
Float	SMF	LGF	LGF	LGF	LGF	
Hinge Pin	SMHP	LGHP	LGHP	LGHP	LGPH	
Hinge Mounting Plate	N/A	N/A	N/A	N/A	N/A	
Bolts for Mounting Plate	N/A	N/A	N/A	N/A	N/A	
Hinge	N/A	4X4 SET	4X4 SET	4X4 SET	4X4 SET	
Secure Lock	SET	SET	SET	SET	SET	
Plate W/Pin	SMSLP	LGSLP	LGSLP	LGSLP	LGSLP	
Strainer Barrel	SM BARREL	LG BARREL	LG BARREL	LG BARREL	LG BARREL	
Swivel	FLC 1.5-3.0	FLC 4.0	FLC 4.5	FLC 5.0	FLC 6.0	
Flange						
Screen	SM SCREEN	LG SCREEN	LG SCREEN	LG SCREEN	LG SCREEN	
Screws for Frame	SCREWS SM FRAME	SCREWS LG. BARREL	SCREWS LG. BARREL	SCREWS LG. BARREL	SCREWS LG. BARREL	
Float Hinge for Barrel	N/A	4X4 BH	4X4 BH	4X4 BH	4X4 BH	
Bolts	N/A	BARREL BOLTS FOR HINGE	BARREL BOLTS FOR HINGE	BARREL BOLTS FOR HINGE	BARREL BOLTS FOR HINGE	
Screen Support Rods	N/A	SUPPORT RODS	SUPPORT RODS	SUPPORT RODS	SUPPORT RODS	
Barrel Gasket	N/A	4" BGSKT	4.5" BGSKT	5.0" BGSKT	6.0" BGSKT	
Swivel Gasket	1.5", 2.0", 2.5" & 3.0" SG	4" SG	4.5" SG	5.0" SG	6.0" SG	